

HPM231 Wind Pressure Transmitter



Nanjing Hangjia Electronic Technology Co., Ltd.

Overview

HPM231 wind pressure transmitter adopts CNC integrated aluminium alloy shell. The transmitter sensor with high accurate and high stable sensitive core to transform the pressure signal of measured medium to 4-20mADC signal or standard voltage signal through high reliable enlarged electric circuit. It is with the field display and configuration operation functions. The range is adjustable and the PV can be reset. This product with the high-quality sensor, superb packaging technology and perfect assembly process guarantees the excellent quality and functions.

Application

Measurement of pressure of boiler air supply, fan pressure, air pipe pressure, indoor exhaust, subway air pressure, environmental air pressure, etc.

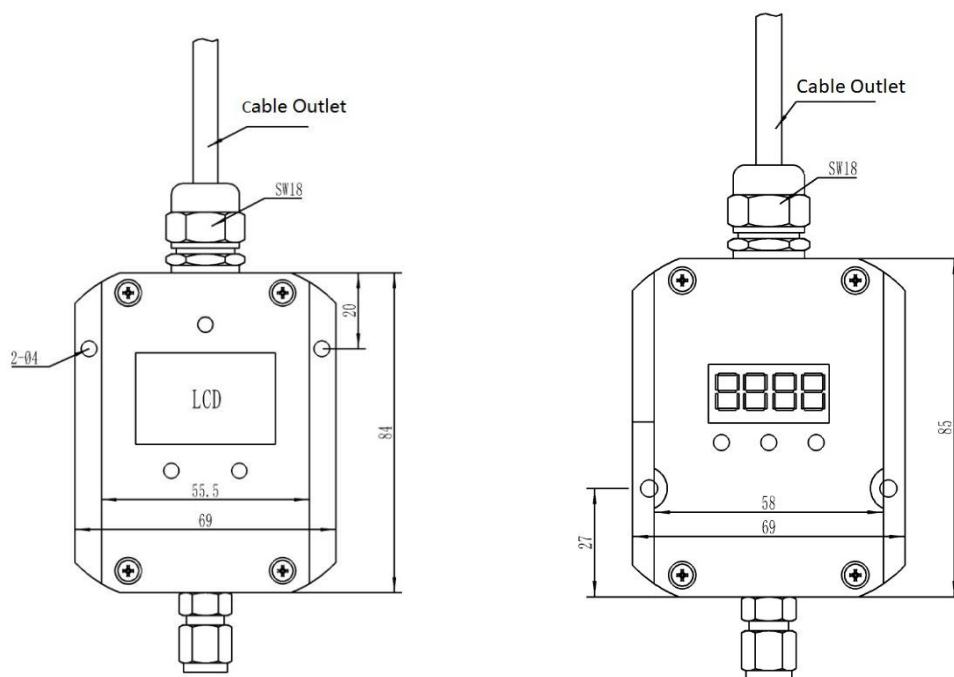
Features

- .Measure micro pressure
- .Field display and configuration operation
- .Hard and sealed aluminium alloy shell
- .Short-circuit protection and reverse polarity protection
- .All range temperature compensation
- .Strong anti-jamming and long-term stability

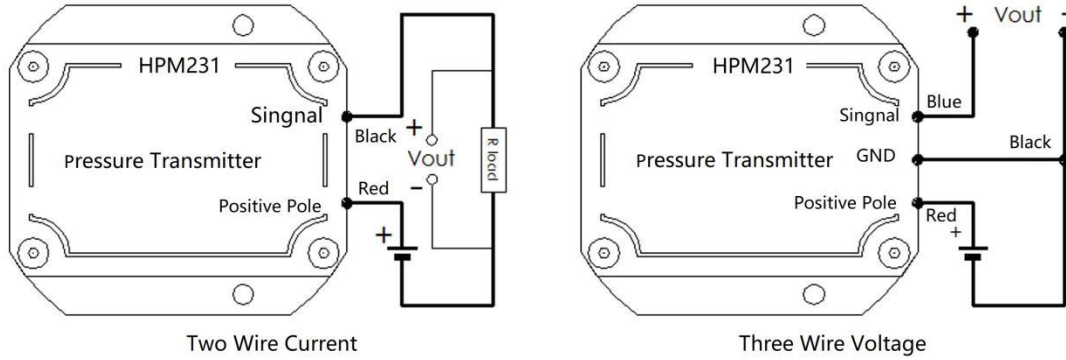
Technical Parameters

Measuring Medium	Dry and clear noncorrosive gas
Pressure Range	-100kPa...0~200Pa...100kPa
Overload	3 times of basic pressure range
Pressure Type	Gauge
Accuracy	$\pm 0.5\%FS$
Long-term Stability	$\pm 0.5\%FS/year$ (0.5 grade); $\pm 0.2\%FS/year$ (0.2 grade)
Working Temp	-40~120°C
Compensation Temp	0~60°C
Supply Voltage	24VDC
Output Signal	4~20mADC, 0~5V, 0~10V, 1~5VDC
Output Mode	Two-wire, Three-tire
Zero Point Deviation	Less than $\pm 0.5\%$ of output range

Structure Drawings



Electrical Connection



Ordering Guide

Item NO.	Type					
HPM231	Wind Pressure transmitter					
	Pressure Range	Measuring Range				
	(0~10)kPa	Fill out X directly				
		Code	Output Signal			
		B1	4~20mA			
		B3	(0~10)V			
		B4	(0~5)V			
		B5	(1~5)V			
		B6	(0.5~4.5)V			
		Code	Air Pipe Spec			
		T6	6*4mm			
		T8	8*5mm			
		Code	Electrical Connection			
		C2	cable outlet			
		Code	Structure&Material			
		X	Other			
			Code	Additional Functions		
			D1	LED Display		
			D2	LCD Display		
HPM231	(0~10)kPa	B1	T8	C2	X	D2

Installation Notes

1. The product can be installed directly on the wall or panel by threaded hole.
2. When installed in the open air, the transmitter should be placed in a ventilated and dry place as far as possible to avoid direct exposure to strong light and rain, otherwise the performance of the whole machine will be reduced and the life of the whole machine will be affected.
3. The lead cable should pay attention to protection, in the industrial site use, it is recommended to use snakeskin tube or iron tube protection, or put it high.