

HPM310D Wind Pressure Transmitter



Nanjing Hangjia Electronic Technology Co., Ltd.

Product Overview

HPM310D wind pressure transmitter adopts high accurate and high stable sensitive core to transform the pressure signal of measured medium to 4-20mA DC signal or standard voltage signal through high reliable enlarged electric circuit. This product with the high-quality sensor, superb packaging technology and perfect assembly process guarantees the excellent quality and functions.

Application

Boiler air supply, fan pressure, air duct pressure, indoor ventilation, subway air pressure, underground ventilation, environmental air pressure pressure or differential pressure measurement

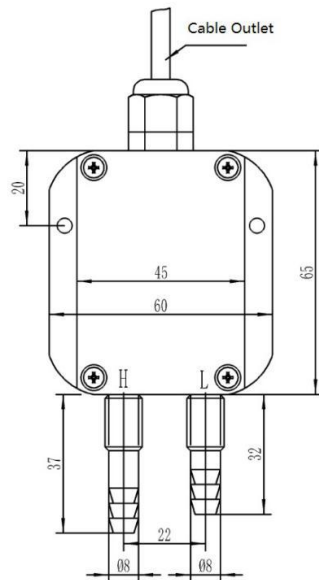
Features

- Ø8 pagoda interface, easy installation
- Measure differential pressure of micro air
- Hard and sealed aluminium alloy shell
- Short-circuit protection and reverse polarity protection
- All range temperature compensation
- Strong anti-jamming and long-term stability

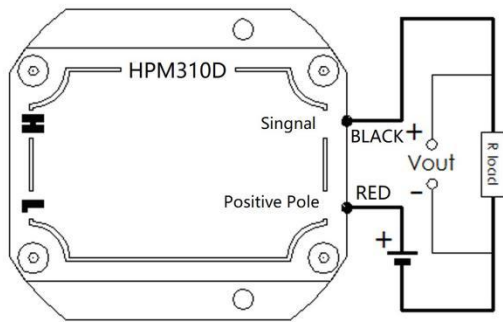
Technical Parameters

Measuring Medium	Dry and clear noncorrosive gas
Pressure Range	-100kPa...0~200Pa...100kPa
Overload	3 times the basic scale
Supply Voltage	24VDC
Output Signal	4~20mADC (two-wire) or 0-5V, 0-10V, 1-5V voltage output (three-wire)
Compensation Temperature	0~60°C
Working Temperature	-40~125°C
Zero Point Deviation	Less than $\pm 0.5\%$ of output range
Temperature Influence	$\pm 0.5\%$ FS(0.5 grade) of maximum range; $\pm 0.2\%$ FS(0.2 grade); (within the range of compensation temperature)
Stability	$\pm 0.5\%$ FS/year(Accuracy 0.5); $\pm 0.2\%$ FS/year(Accuracy 0.2)

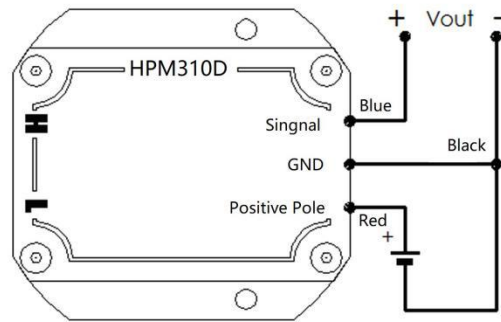
Structure Drawings



Electrical Connection

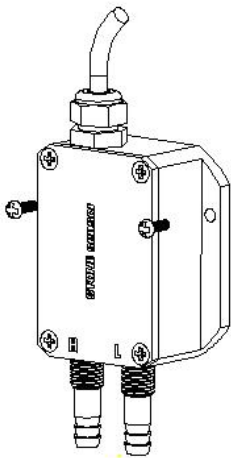


Two Wire Current



Three Wire Voltage

Installation



1. The product can be installed directly on the wall or panel by threaded hole.
2. When installed in the open air, the transmitter should be placed in a ventilated and dry place as far as possible to avoid direct exposure to strong light and rain, otherwise the performance of the whole machine will be reduced and the life of the whole machine will be affected.
3. The lead cable should pay attention to protection, in the industrial site use, it is recommended to use snakeskin tube or iron tube protection, or put it high.

Ordering Guide

Item NO.	Type					
HPM310D	Air Differential Pressure Transmitter					
	Pressure Range	Measuring Range				
	(0~X)kPa	Fill out X directly				
		Code	Output Signal			
		B1	4~20mA			
		B3	(0~10)V			
		B4	(0~5)V			
		B5	(1~5)V			
		B6	(0.5~4.5)V			
		Code	Thread Spec			
		T8	Φ8 Pagoda			
			Code	Electrical Connection		
			C2	Cable Outlet		
		Code	Structure&Material			
	X	Other				
		Code	Customized			
HPM310D	(0~1)kPa	B1	T8	C2	X	