



Product model: HTM208 explosion-proof temperature transmitter

Manufacturer: Nanjing Hangjia Electronic Technology Co., Ltd.

Product category: temperature transmitter

Application: field temperature

measurement and control in petroleum,

chemical, metallurgy, electric power,

hydrology, and other industrial processes

Product Overview

HTM208 explosion-proof digital temperature transmitter uses PT100 as the signal measurement component. The amplification circuit is in the stainless-steel shell to convert the sensor signal into a standard signal. The entire product has undergone rigorous testing and aging of components, semi-finished products and finished products. With its excellent reliability, wide adaptability, product flexibility and diversity, this product is widely used in on-site temperature measurement and control of industrial processes such as petroleum, chemical industry, metallurgy, electric power, hydrology, etc.

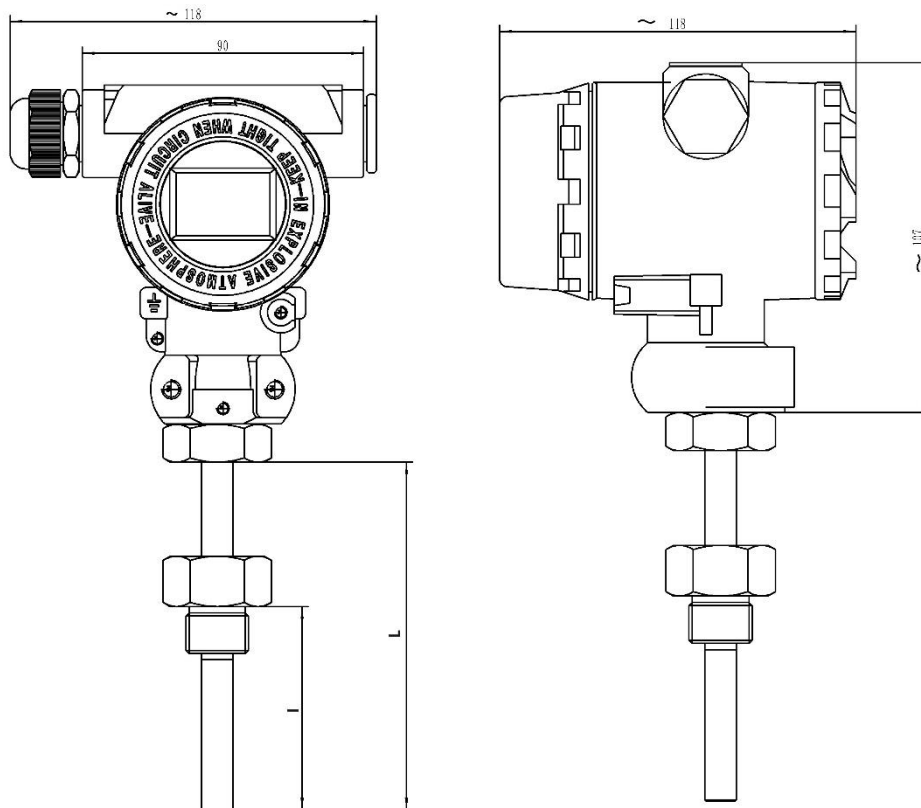
Features

- ◆ On-site display
- ◆ Support RS485 communication protocol or HART communication protocol
- ◆ Shell protection grade IP65
- ◆ The material in contacted with medium is stainless steel with good corrosion resistance.
- ◆ Suitable for temperature measurement of fluid media, long-term stable operation
- ◆ Impact resistance, vibration resistance and corrosion resistance

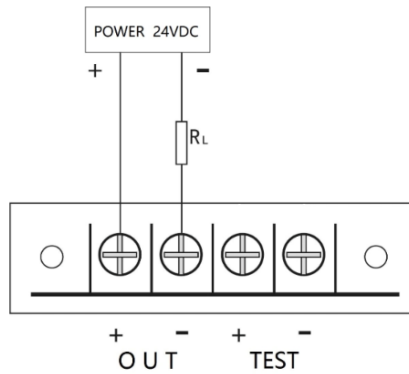
Technical Parameters

Measuring Temperature Range	-40~1500℃
Measuring Medium	various liquid, gas, or steam compatible with 304 or 316L stainless steel
Accuracy	±0.5%FS
Long-term Stability	±0.2%FS/year
Insertion Depth	customization
Installment Thread	customization
Operation Temperature	-30~85℃ (normal type) ; -20~60℃ (Explosion-proof type)
Storage Temperature	-30~85℃
Supply Voltage	24VDC
Output Signal	2-wire 4~20mADC, or RS485, HART
Protection Grade	IP65
Electrical Connection	Cables with cable gland
Explosion-proof	Exd II CT6 Gb

Structure Drawings (Unit: mm)



Electrical Connection



Ordering Guide

Model	Type							
HTM208	HTM208 digital temperature transmitter							
	Code	Installation						
	LW-G	Threaded installation						
	FL-G	Flange installation						
	KP	Clamp installation						
	Range	Measuring Range						
	(0~X) °C	Fill X directly						
	Code	Output signal						
	B1	(4~20)mA						
	B7	RS485						
	B8	HART						
	code	Installation form						
	1	Fixed						
	2	Movable						
	Code	Process Connection						
	P1	M20×1.5						
	P4	GV2						
	P17	M27×2						
	P22	M18×1.5						
	K1	1.5" clamp						
	K2	2" clamp						
	F20	DN20						
	F50	DN50						
	Code	Electrical Connection						
	C2	Cable						
	Code	Sensor type						
	P	PT100						
	K	K index thermocouple						
	S	S index thermocouple						
	Code	Others						
	d	Exd IIC T6 Gb						
	l	Insertion depth(mm)						
	L	L=Total length of protective tube(mm)						
	φ	φ=Protection tube diameter(mm)						
	F	Special anti-corrosion requirements						
HTM208	LW-G	(0~300) °C	B1	1	P1	C2	P	d=200 L=350 φ=12

Certification Information

Factory certification	
Certification organization	CQM
Quality management system	ISO 9001:2015
Certification scope	Research, development and manufacture of pressure transmitter and temperature transmitter
Certificate No.	00223Q21711R1S